



Brief and handy: everything your dishwasher needs ...
Before using for the first time, read the operating instructions!

1

Adjusting the water softening system *

Ask your water supply company what the water hardness is and enter ...

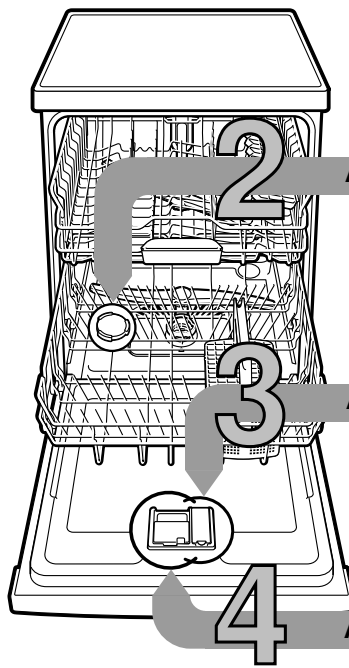
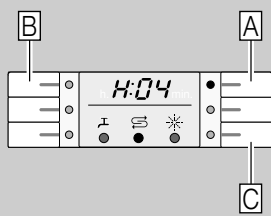
| Water hardness value Clarke | Hardness range | mmol/l | Factory setting |
|-----------------------------|----------------|---------|-----------------|
| 0-8 | soft | 0-1.1 | H:00 |
| 9-10 | soft | 1.2-1.4 | H:01 |
| 11-12 | medium | 1.5-1.8 | H:02 |
| 13-15 | medium | 1.9-2.1 | H:03 |
| 16-20 | medium | 2.2-2.9 | H:04 |
| 21-26 | hard | 3.0-3.7 | H:05 |
| 27-38 | hard | 3.8-5.4 | H:06 |
| 39-62 | hard | 5.5-8.9 | H:07 |

* only before the first wash or if the water hardness has been changed

Quickly sorted ...

How to adjust

- Switch on ON/OFF switch.
- Hold down programme button A and press START button until H:0... is indicated on the digital display.
- Release both buttons. The LED for button A flashes and the factory set value of H:04 is indicated on the digital display.
- Press programme button C. Each time the button is pressed the set value increases by one setting; when the value reaches H:07, the display jumps back to H:00 (off).
- Press START button. The chosen setting has now been stored.

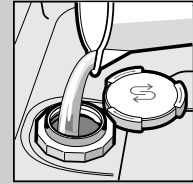


2 Add special salt

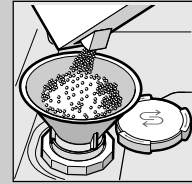
Dissolves limescale (not necessary when set to 0!) ...



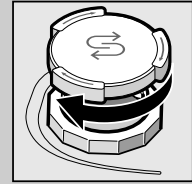
Open the lid.



Only fill the salt dispenser with water before the first wash.



Add special salt (never use detergent!).



Close the lid. Rinse immediately.

3 Add rinse aid

Gets it sparkling clean ...



Press marking 1, lift lid 2.



For optimum drying results



Add rinse aid.



Close lid. CLICK!

4 Add detergent

A lot of dirt, a lot of detergent ...



If required, open the cover (press button).



Attention: Combination products are not suitable for all programmes, follow manufacturer's instructions.



Pour detergent into the dry detergent dispenser only.



Slide cover shut, press. PLOP!

5

Switch on the appliance

6

Select a programme

Quick, economical or intensive ...

8

Switch off the appliance Everything o.k. ...



Switch on the appliance. Here we go ...

7

Overview of programmes

This overview describes all the possible programmes. You can see which programmes your appliance offers from its control panel. The values given in the programme details are laboratory measurements compliant with European standard EN 50242. The consumption figures depend on the selected programme and additional functions. The programme duration will be different if the machine is short of rinse additive or the function is turned off.

* half normal load

** Suitable programme for running at night: it takes longer, but is extremely quiet.

| | Intensive 70° | Auto 45°/65° | Eco 50° | Silence ** 50° | Glass 40° | 65° | Quick 65° | Quick 45° | Pre Rinse | Machine Care |
|-----------------------------|---------------|--------------|---------|----------------|-------------|-------|-----------|-----------|-----------|--------------|
| Duration in hrs : mins. | 2:05-2:15 | 1:30-2:40 | 3:30 | 3:55-4:00 | 1:25-1:30 | 1:00 | 1:00 | 0:29 * | 0:15 | 1:30 |
| Energy consumption in kWh | 1,450-1,500 | 0,950-1,600 | 0,896 | 1,050-1,090 | 0,850-0,900 | 1,300 | 1,300 | 0,800 | 0,050 | 0,900-1,060 |
| Water consumption in litres | 12-15 | 7-18 | 9,3 | 10 | 11-14 | 10 | 10 | 10 | 4 | 9,5-12,5 |

You will find descriptions of possible additional functions in your instruction manual.



Maintenance and care

For perfect rinsing results ...

Cleaning waste water pump

Filters
... check, if required, clean.

Rotate filter cylinder, remove filter system ...

rinse under running water ...

insert ...

Screw on filter system
NOTE MARK!

- Pull out the mains plug.
- Remove filters and scoop out water.
- Lever off cover (A).
- Check area around the fan impeller for foreign objects.
- Click cover shut (B).
- Insert filters.

Spray arms
... Remove blockages/deposits.

pull lower arm upwards ...

unscrew upper arm ...

clean spray nozzles under running water (if required use toothpicks) ...

insert lower arm ...
screw on upper arm tightly

Rectifying minor faults yourself ...

... as it is worth doing it yourself!

More information can be found in the operating instructions

| Fault | Possible causes | Remedial action |
|-----------------------------------|---|---|
| Display "E:1" is lit | Supply fitting jammed or calcified  | <ul style="list-style-type: none"> ▶ Open supply fitting. ▶ 1. Unscrew water connection. ▶ 2. Clean filter in the water connection. ▶ 3. Flow rate must be min. 10 l/min., when water supply is open. If the flow rate is less, replace the supply fitting. ▶ Install supply hose without kinks. |
| Display "E:22" | Filters are soiled or blocked | ▶ Clean the filters (see above). |
| Display "E:24" and "E:1" are lit | Waste water hose is blocked or kinked Cover not attached to waste water pump | <ul style="list-style-type: none"> ▶ Install waste water hose without kinks. ▶ Attach cover (see above). |
| Display "E:25" and "E:1" are lit | Waste water pump blocked | ▶ Clean waste-water pump (see above). |
| Other fault display "E:XX" is lit | Appliance has technical defect | <ul style="list-style-type: none"> ▶ Call factory customer service (state fault display). ▶ Unplug appliance. |
| Residual water in the appliance | The programme has not yet ended | ▶ Close the appliance and switch it on or terminate the programme (see Terminating the programme). |
| Rust on the cutlery | Cutlery not rust-resistant Hard knife blades are more susceptible Extraneous rust | <ul style="list-style-type: none"> ▶ Use dishwasher-proof cutlery. ▶ Never wash rusting parts in the appliance. |

| Fault | Possible causes | Remedial action |
|---|---|--|
| Utensils are not clean | Utensils are situated close together or one above the other | ▶ Separate the utensils, prevent contact points. |
| Sand or gritty residue on the utensils  | Too little detergent | ▶ Follow manufacturer's instructions (detergent). |
| | Unsuitable programme selected | ▶ Select a more intensive programme. |
| | Spray arm nozzles blocked | ▶ Clean the spray arms (see above). |
| | Filters dirty, not seated firmly | ▶ Clean the filters (see above). |
| Spray arms blocked | | ▶ Arrange the utensils so that the spray arms can rotate freely. |
| Stains and streaks | Rinse aid dosage too high/too low | <ul style="list-style-type: none"> ▶ Streaks: reduce dosage. ▶ Water or limescale stains: increase dosage. |
| Utensils not dry | Rinse aid | <ul style="list-style-type: none"> ▶ Increase dosage. ▶ Change the product. |
| | The combined detergent used has a poor drying performance | ▶ Use rinse aid. |
| | Appliance setting | ▶ Activate intensive drying (depending on model). |
| Milky deposits on the utensils (can be removed) | Water softening system incorrectly set No salt | <ul style="list-style-type: none"> ▶ Correctly set water softening system. ▶ Refill with special salt. |
| Milky deposits, glasses cloudy/tarnished (cannot be removed) | Glasses not dishwasher-proof | ▶ Use dishwasher-proof glasses. |
| | | ▶ Use a detergent suitable for glasses. |
| Plastic/utensils discoloured | Too little detergent | ▶ Follow manufacturer's instructions (detergent). |
| | Discoloration caused by food colourings (tomato sauce) | ▶ Discoloration is harmless; subsequent rinse cycles will cause it to fade. |

Terminating the programme ...

Loading the dishwasher correctly ...

While the programme is running, press the START button for approx. 3 sec. (Reset).



The numerical display indicates "0:01"; approx. 1 minute after the programme ends, "0:00" is indicated.



Switch off the appliance.

Dishwasher-proof utensils (not soiled with ash, wax, lubricating grease, ink or adhesive labels; remove large remnants of jam, milk products and food according to the operating instructions and check that the spray arms can rotate freely).